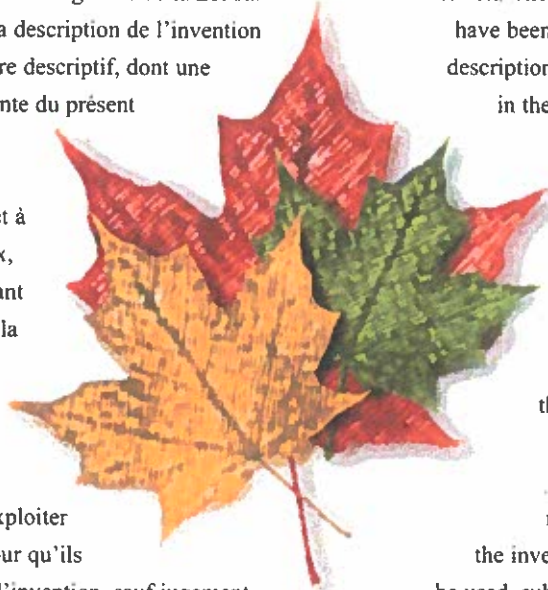




# Brevet canadien / Canadian Patent

Le commissaire aux brevets a reçu une demande de délivrance de brevet visant une invention. Ladite requête satisfait aux exigences de la *Loi sur les brevets*. Le titre et la description de l'invention figurent dans le mémoire descriptif, dont une copie fait partie intégrante du présent document.

Le présent brevet confère à son titulaire et à ses représentants légaux, pour une période expirant vingt ans à compter de la date du dépôt de la demande au Canada, le droit, la faculté et le privilège exclusif de fabriquer, construire, exploiter et vendre à d'autres, pour qu'ils l'exploitent, l'objet de l'invention, sauf jugement en l'espèce rendu par un tribunal compétent, et sous réserve du paiement des taxes périodiques.



The Commissioner of Patents has received a petition for the grant of a patent for an invention. The requirements of the *Patent Act* have been complied with. The title and a description of the invention are contained in the specification, a copy of which forms an integral part of this document.

The present patent grants to its owner and to the legal representatives of its owner, for a term which expires twenty years from the filing date of the application in Canada, the exclusive right, privilege and liberty of making, constructing and using the invention and selling it to others to be used, subject to adjudication before any court of competent jurisdiction, and subject to the payment of maintenance fees.

B R E V E T C A N A D I E N

**2,818,045**

C A N A D I A N P A T E N T

Date à laquelle le brevet a été accordé et délivré

**2016/08/16**

Date on which the patent was granted and issued

Date du dépôt de la demande

**2013/06/10**

Filing date of the application

Date à laquelle la demande est devenue accessible au public pour consultation

**2014/12/10**

Date on which the application was made available for public inspection

Commissaire aux brevets / Commissioner of Patents



(22) **Date de dépôt/Filing Date:** 2013/06/10

(41) **Mise à la disp. pub./Open to Public Insp.:** 2014/12/10

(45) **Date de délivrance/Issue Date:** 2016/08/16

(51) **Cl.Int./Int.Cl. A01G 9/02** (2006.01)

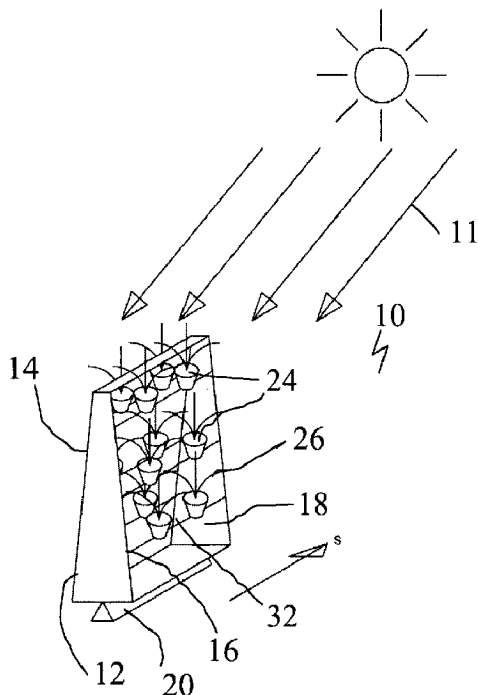
(72) **Inventeur/Inventor:**  
TAN, WEIXING, CA

(73) **Propriétaire/Owner:**  
TAN, WEIXING, CA

(74) **Agent:** WOODRUFF, NATHAN V.

(54) **Titre : SYSTEME DE CROISSANCE A POURSUITE SOLAIRE POUR ORGANISMES PHOTOSYNTHETIQUES**

(54) **Title: SUN TRACKING GROWING SYSTEM FOR PHOTOSYNTHETIC ORGANISMS**



(57) **Abrégé/Abstract:**

A sun tracking plant growing system includes a body having a first face, a second face opposed to the first face and a peripheral connecting edge which is relatively small, as compared to the size of the first face and the second face. A mounting enables the

**(57) Abrégé(suite)/Abstract(continued):**

body to pivot about a pivot axis. Plant supports, which receive plants, are supported by the body. A sun tracking mechanism is provided which senses or calculates the position of the sun and adjusts the orientation of the body about the pivot axis to maintain a selected portion of the peripheral connecting edge of the body facing the sun so as to provide desirable and naturally attenuated sunlight exposure according to plants' needs on both faces throughout a day. This system allows that multiple rows or single row of the plural bodies are arrayed closely together without creating shadows to each other.



US 20160120136A1

(19) **United States**

(12) **Patent Application Publication**  
**Tan**

(10) **Pub. No.: US 2016/0120136 A1**

(43) **Pub. Date: May 5, 2016**

(54) **SUN TRACKING GROWING SYSTEM FOR PHOTOSYNTHETIC ORGANISMS**

(52) **U.S. Cl.**  
CPC ..... *A01G 9/243* (2013.01); *A01G 1/001* (2013.01)

(71) Applicant: **Weixing TAN**, Grande Prairie (CA)

(72) Inventor: **Weixing Tan**, Grande Prairie (CA)

(57) **ABSTRACT**

(21) Appl. No.: **14/895,849**

(22) PCT Filed: **May 14, 2014**

(86) PCT No.: **PCT/CA2014/050450**

§ 371 (c)(1),

(2) Date: **Dec. 3, 2015**

(30) **Foreign Application Priority Data**

Jun. 10, 2013 (CA) ..... 2818045

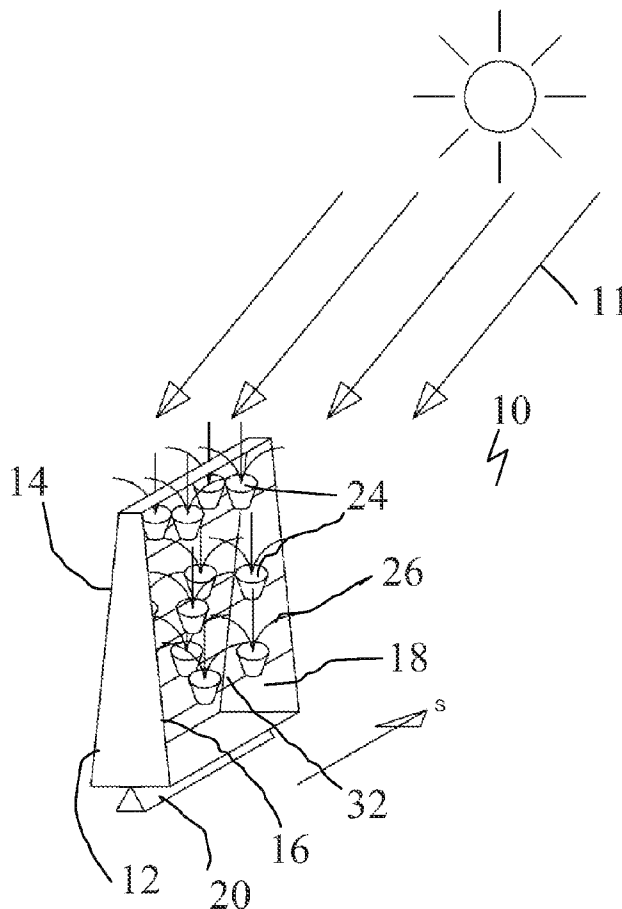
**Publication Classification**

(51) **Int. Cl.**

*A01G 9/24* (2006.01)

*A01G 1/00* (2006.01)

A sun tracking plant growing system includes a body having a first face, a second face opposed to the first face and a peripheral connecting edge which is relatively small, as compared to the size of the first face and the second face. A mounting enables the body to pivot about a pivot axis. Plant supports, which receive plants, are supported by the body. A sun tracking mechanism is provided which senses or calculates the position of the sun and adjusts the orientation of the body about the pivot axis to maintain a selected portion of the peripheral connecting edge of the body facing the sun so as to provide desirable and naturally attenuated sunlight exposure according to plants' needs on both faces throughout a day. This system allows that multiple rows or single row of the plural bodies are arrayed closely together without creating shadows to each other.



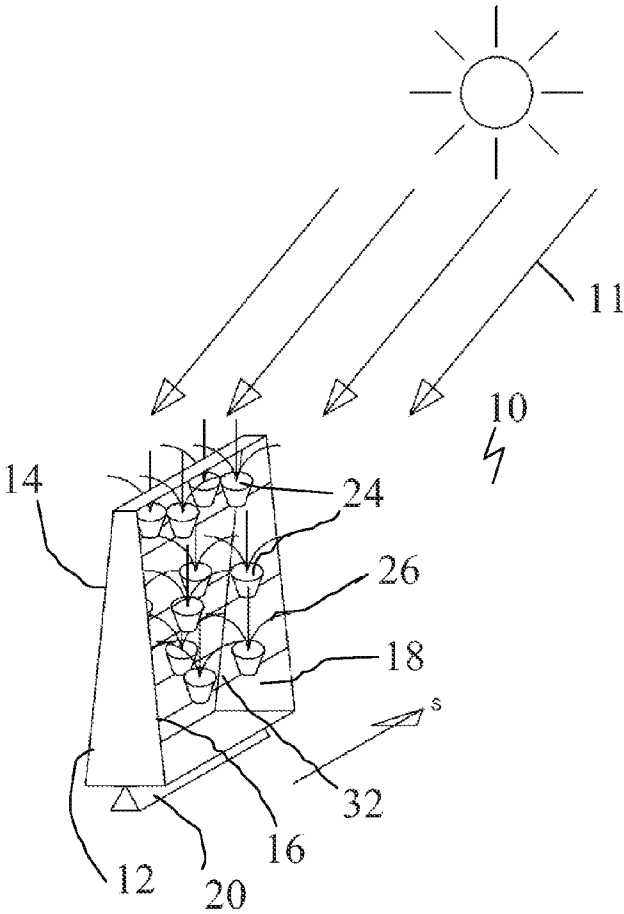


FIG. 1a

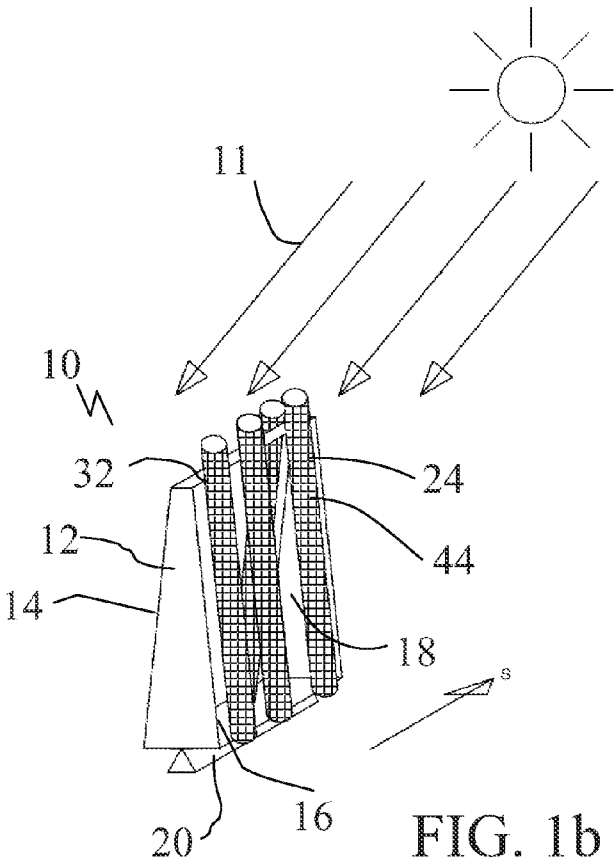


FIG. 1b

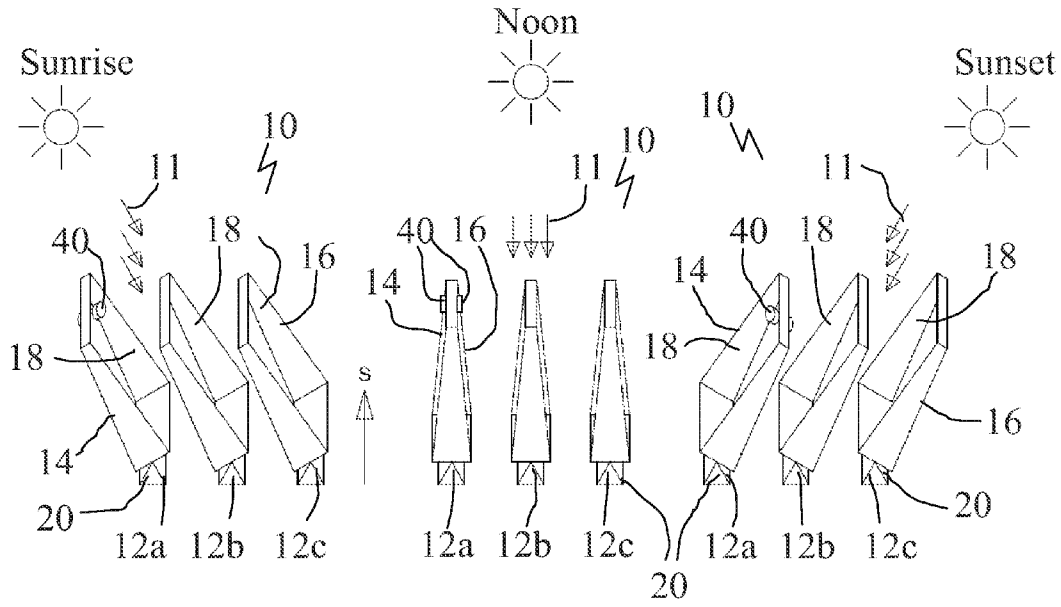


FIG. 2

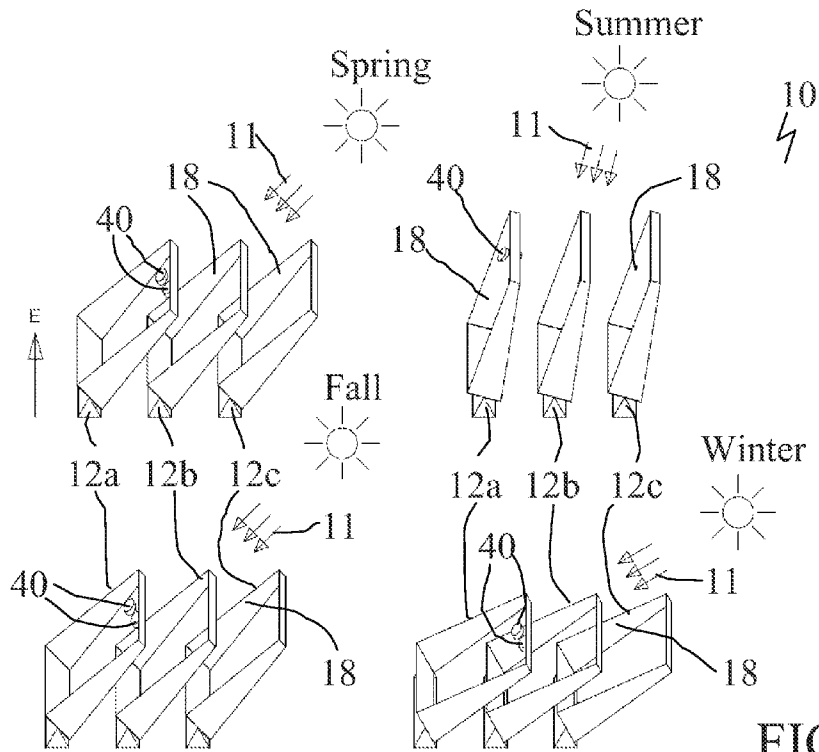


FIG. 3

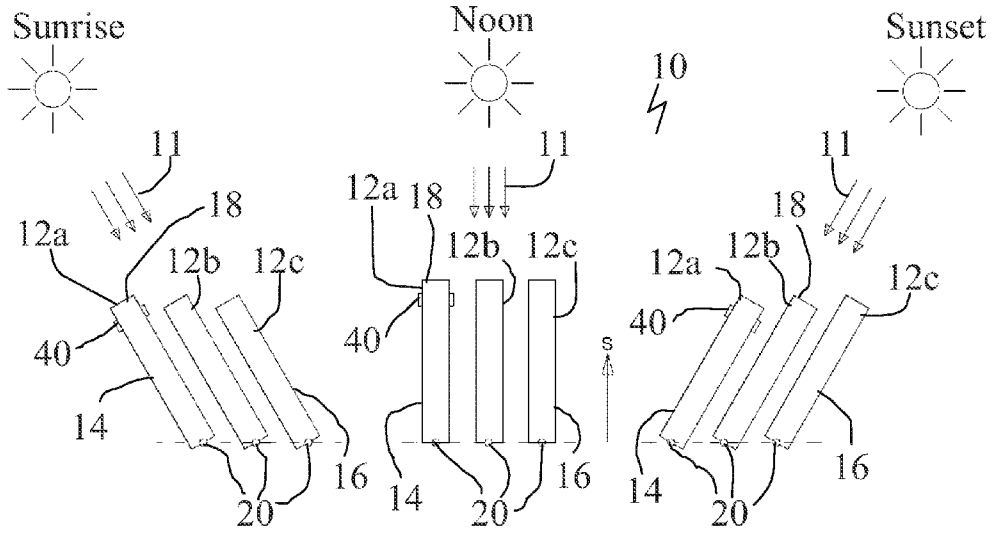


FIG. 4

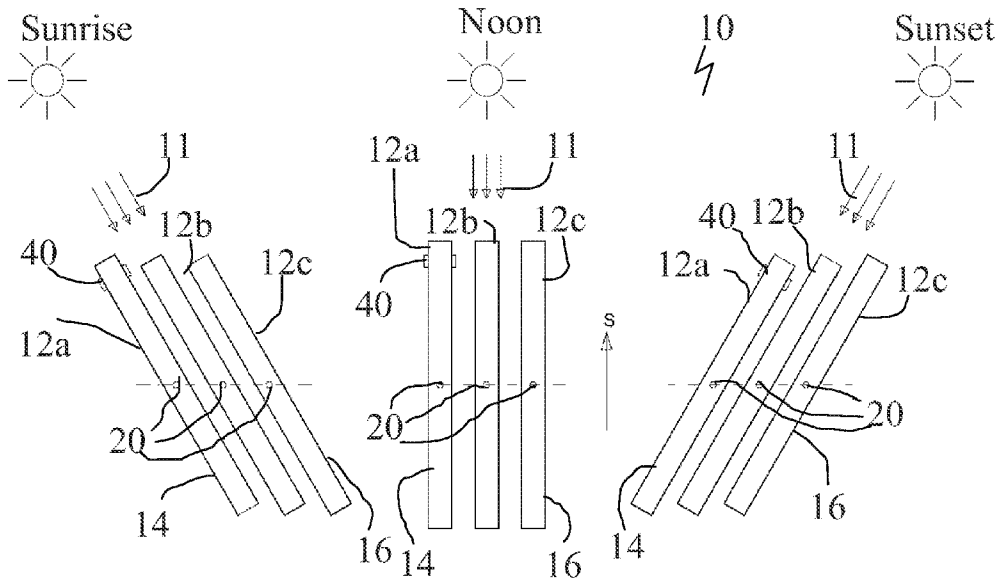


FIG. 5

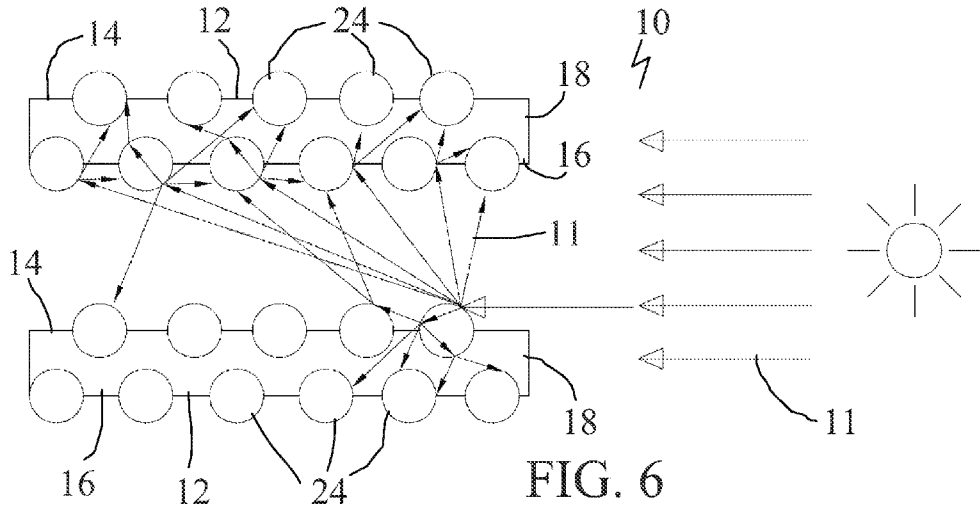


FIG. 6

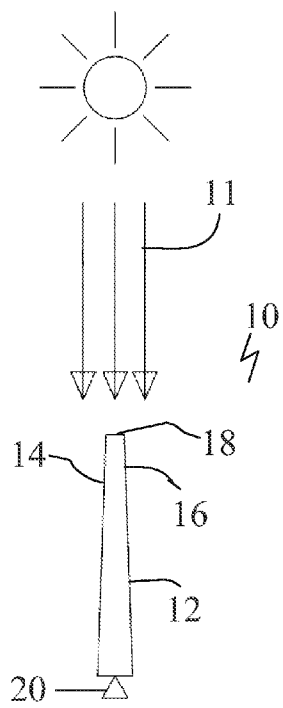


FIG. 7a

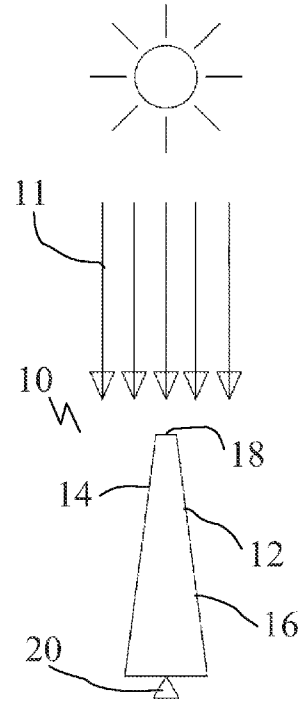


FIG. 7b

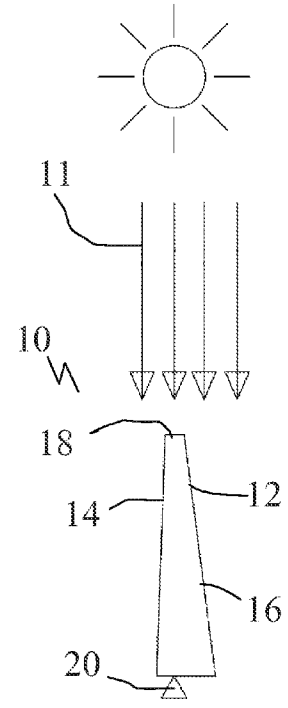


FIG. 7c



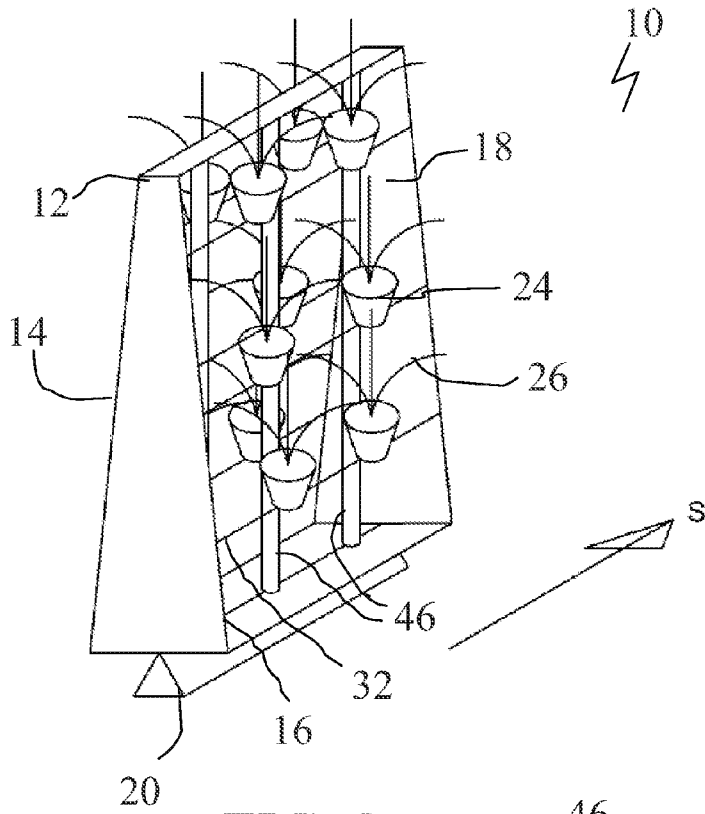


FIG. 8a

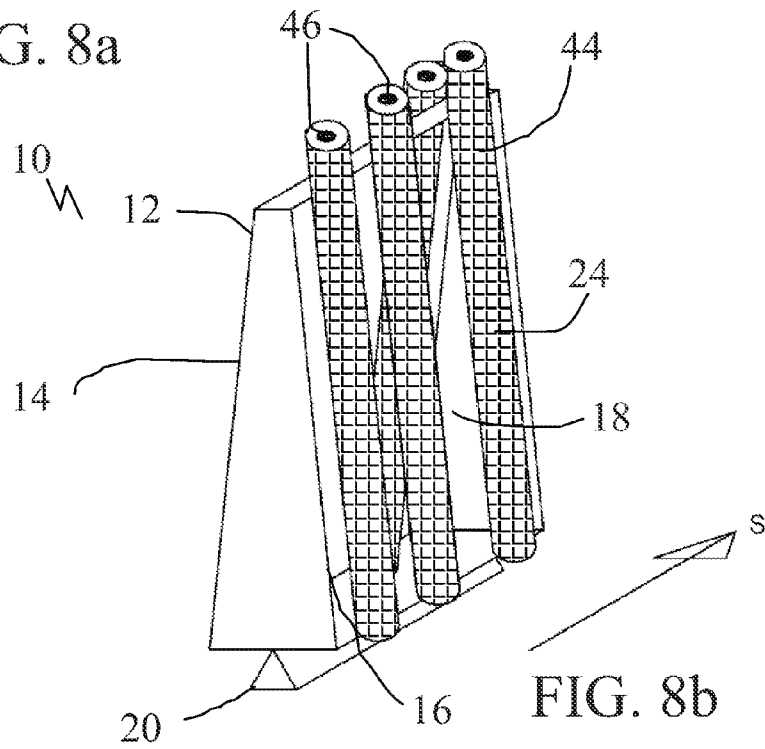


FIG. 8b

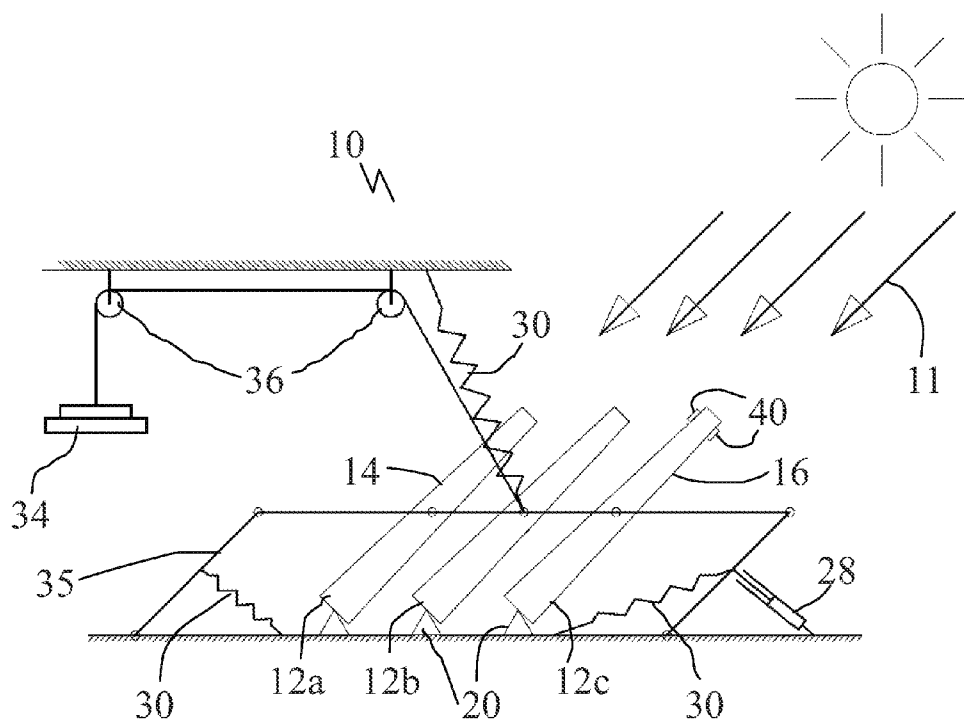


FIG. 9

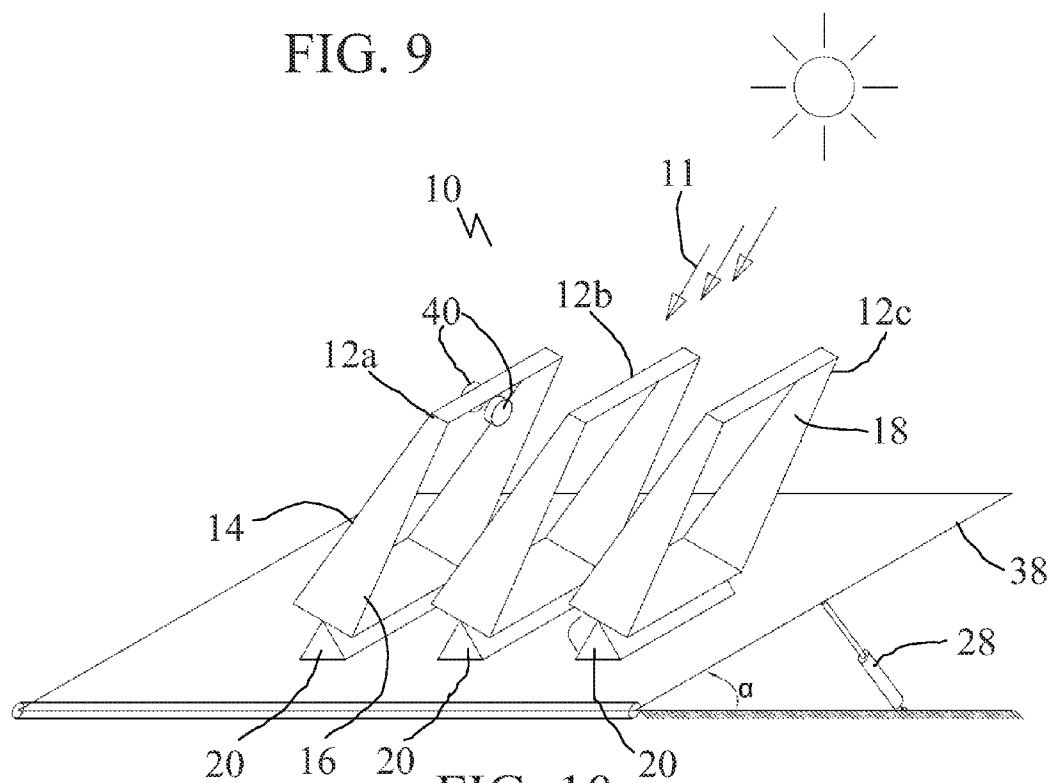


FIG. 10

## SUN TRACKING GROWING SYSTEM FOR PHOTOSYNTHETIC ORGANISMS

### FIELD

**[0001]** There is described a growing system for photosynthetic organisms, such as plants and algae, that tracks the movement of the sun in a fashion to allow desirable and controlled sunlight exposure.

### BACKGROUND

**[0002]** Although sun-tracking systems are commonly used with solar collectors to allow maximum solar collection by tracking the movement of the sun across the sky, growing systems for plants are generally fixed. As a result, plants are in direct sunlight for a portion a day often over-exposed with too much light particularly When sunlight energy is highest and in indirect sunlight or shade for the balance of the day leading to insufficient light. What is required is a sun tracking system that meets the needs of photosynthetic organisms such as plants and algae.

### SUMMARY

**[0003]** According to one aspect, there is provided a sun tracking growing system including a body having a first face, a second face opposed to the first face and a peripheral connecting edge which is relatively small, as compared to the size of the first face and the second face. A mounting enables the body to pivot about a pivot axis. Plant supports, which receive plants, are supported by the body along the first face, the second face or both. A sun tracking mechanism is provided which senses or calculates the position of the sun and adjusts the orientation of the body about the pivot axis to maintain a selected portion of the peripheral connecting edge of the body facing the sun.

**[0004]** With the sun tracking growing system, as described above, plants supported along either the first face, the second face or both are directly exposed to sunlight throughout the day, without shading each other. Sun tracking systems used with solar collectors are designed to maximize sunlight exposure and as such, tend to overexpose plants throughout an extended period of a day when the light energy is highest, since photosynthesis is saturated at one twentieth to one quarter of full sunlight for most plants. In contrast, the sun tracking growing system described allows for the adjustment and natural attenuation of sunlight exposure according to what plants need.

**[0005]** According to another aspect there is provided a method of having a growing system tracking the sun. A first step involves providing a body having a first face, a second face opposed to the first face and a peripheral connecting edge which is relatively small, as compared to the size of the first face and the second face. A second step involves mounting the body to pivot about a pivot axis. A third step involves placing plants into plant supports which are supported by the body along the first face, the second face, or both. A fourth step involves sensing or calculating the position of the sun. A fifth step involves adjusting the orientation of the body about the pivot axis to maintain a selected portion of the peripheral connecting edge of the body facing the sun.

**[0006]** There can be a number of ways to enable the orientation adjustment of the growing body (or panel). For example, one way is to align the body towards South and North, and move along with the daily changes in sunray so

that the two sides of panel are always in parallel to the sunray. Another possible example is to align the body towards East and West, and adjust along with the seasonal as well as daily changes in sun's altitude (or sunray) so as to maintain the two sides of panel always in parallel to the sunray.

**[0007]** It will be appreciated that there are a number of ways the pivot axis can be arranged. For example, the pivot axis about which the body pivots could be a substantially horizontal pivot axis. Alternatively, the pivot axis about which the body pivots could be a substantially vertical pivot axis. Although horizontal and vertical are the most logical orientations for the pivot axis, it would also be possible to place the pivot axis in an orientation that is neither horizontal nor vertical.

**[0008]** While there could be a single body, it is envisaged that there will be a plurality of bodies positioned in parallel spaced relation, each of the bodies tracking the sun concurrently.

**[0009]** While there could be a single row of plural bodies, it is envisaged that there will be multiple rows of plural bodies positioned in parallel with all rows tracking the sun concurrently.

**[0010]** The body can take a number of forms. It could be a solid growing wall, In the preferred embodiment the body is an open frame with plants are supported along the first face, the second face or both by plant supports. When growing algae, the plant supports are any containers like cylindrical tubes or fiat panels containing liquid nutrients.

**[0011]** It is envisaged that the plants or cylindrical tubes will be positioned in spaced relation along one of a width or a length of the frame. In order for light to reach the plants or algae from all sides, it is preferred that the plants or cylindrical tubes are staggered, so that they are alternatively positioned toward first face and then toward the second face, which allows light to reach the back side of plant supports.

**[0012]** Different species or varieties of plants require or can tolerate different amounts of sunlight. It is preferred that the body is wedge shaped and a thin edge of the wedge is the selected portion of the peripheral connecting edge of the body which is maintained facing the sun as the movement of the sun is tracked. The amount of sunlight exposure is determined by the angular relationship between the first face and the second face (i.e. the tapering of the panel in the middle). When the first face and the second face are parallel, there is a minimal sunlight reaching the plants on both sides. As the angle between the first face and the second face increases, the sunlight exposure of the first face and the second face also increases. This enables the body to be tailored to suit the needs of a particular species of plants. It will be appreciated that When the angle of the first face and the angle of the second face is equal, the first face and the second face receive equal sun exposure. It will also be appreciated that the angle of the first face and the angle of the second face may also be unequal, so that the first face and the second face receive unequal sun exposures so as to suit different needs of different plant species or varieties.

**[0013]** The sun is not available at night or when there is heavy cloud cover. For that reason, even more beneficial results may be obtained when an artificial light source is supported by the body to provide artificial light to the plant supports when sunlight is not available or insufficient. The addition of artificial light creates a hybrid growing system capable switching between sunlight and artificial light, as required.

[0014] As the growing systems are scaled up in size, the weight increases and movement becomes more difficult. Even more beneficial results may, therefore, be obtained when the sun tracking mechanism includes a hydraulic or mechanical spring and/or weight supports to assist in movement of the body.

[0015] Although the growing body is, in general, fixed on a flat ground, potential beneficial results may be obtained by adjusting the slope or aspect of the body, relative to the ground, in order, for example, to synchronize with the seasonal changes in sun's altitude.

#### BRIEF DESCRIPTION OF THE DRAWINGS

[0016] These and other features will become more apparent from the following description in which reference is made to the appended drawings. The drawings are for the purpose of illustration only and are not intended to be in any way limiting, wherein:

[0017] FIGS. 1*a* and 1*b* are 3-D views of the panel system on a base pivot (horizontal axis), illustrating that aligning the side and/or top of the panel directly to the sunray (e.g. south) allows sunlight to reach both sides of the panel equally with examples of either plant holders (1*a*) or algae tubes (1*b*).

[0018] FIG. 2 is a 3-D side view of the bodies on a horizontal pivot axis aligned south and north tracking sunray movement during the sunrise, noon and sunset in a day.

[0019] FIG. 3 is a 3-D side view, of the bodies on a horizontal pivot axis which aligned East and West tracking sunray movement during different seasons.

[0020] FIG. 4 is a top plan view of bodies on a side-vertical pivot axis aligned south and north.

[0021] FIG. 5 is a top plan view, of bodies on a central-vertical pivot axis aligned south and north.

[0022] FIG. 6 is a top plan view of the body illustrating that the alternating positions of plant holders or tubes on both sides of the panel enables capture of reflected and deflected sunlight reaching to all surfaces of holders or tubes.

[0023] FIGS. 7*a*, 7*b* and 7*c* are end views of the panel on a horizontal pivot axis, illustrating that adjusting the degree of tapering on the panel allow for different levels of sunlight intensity exposed on each side of the panel with an example with less desirable but equal amount of light exposure on both sides (sharper tapering, FIG. 7*a*), an example with higher desirable but equal amount of light exposure on both sides (gentler tapering, FIG. 7*b*), and an example with unequal amount of light exposures on both sides (FIG. 7*c*)

[0024] FIGS. 8*a* and 8*b* are 3-D views showing example of arrangements of artificial lights between plant holders or tubes (8*a*) or placement of lights inside tubes (8*b*) for a hybrid light-source growing system (also refer to FIG. 1).

[0025] FIG. 9 is a side elevation view of weight support mechanisms coupling with actuator controller to assist movement of sun tracking growing system for photosynthetic organisms.

[0026] FIG. 10 is a 3-D view that shows the adjustments of the slope for the panels (i.e.  $\alpha$ ), for example, to allow desirable alignment with the seasonal changes in sun's altitude.

#### DETAILED DESCRIPTION

[0027] A sun tracking growing system for photosynthetic organisms, generally identified by reference numeral 10 in all figures, will now be described with reference to FIG. 1 through 10. When the term "plants" is used herein, it will be

understood that it is used as a shorthand term to cover photosynthetic organisms generally, unless the context requires otherwise.

[0028] Structure and Relationship of Parts:

[0029] Referring to FIG. 1*a* and FIG. 1*b*, sun tracking growing system 10 includes a body 12 with a first face 14 and a second face 16 with a peripheral connecting edge 18. First face 14 and second face 16 are positioned in opposition to each other. Peripheral connecting edge 18 is generally small in comparison to the size of first face 14 and second face 16. A mounting 20 is attached to body 12 which enables it to pivot about a pivot axis. Body supports plant supports 24 for receiving plants 26. Pivot axis may be substantially horizontal, substantially vertical or angular based upon the positioning of body 12 and the motion required to track the sun. In the illustrated embodiment a substantially pivot axis is horizontal. Referring to FIG. 2, a sun tracking sensor 40 is provided which senses the position of the sun. Light sensors 40 are provided on each side of body 12 and sense changes in the amount of light hitting each side of the faces. It will be understood that other different methods of sun tracking may be used, including sunray tracking calculations and temperature sensors. As shown, sun tracking sensor 40 may be positioned on a single body 12*a* when an array of bodies 12*a*, 12*b* and 12*c* are positioned together. It will be understood, however, that each body 12*a*, 12*b* and 12*c* may have a sun tracking sensor 40. Sun tracking sensors 40 may also be used to maintain first face 14 and second face 16 of body 12 in specific orientations to provide specific portions of sunlight to each of first face 14 and second face 16. For example, where equal light is required by first face 14 and second face 16, light in sensor 40 on first face 14 should remain equivalent to light in sensor 40 on second face 16. If different light proportions are required for each of first face 14 and second face 16, sensors 40 maintain the relative proportions of light and adjust accordingly.

[0030] Referring to FIG. 9, as an example, control of sunlight tracking can be achieved by using an actuator 28 which receives sensing data from sun tracking sensor 40 and then adjusts its arm length so as to result in a rotational movement of supporting parallelogram frame 35, thereby changing the orientation of body 12 about a pivot axis to maintain a selected portion of peripheral connecting edge 18 of body 12 facing the sun. A plurality of bodies 12*a*, 12*b* and 12*c* may be positioned in parallel spaced relation, with each of bodies 12*a*, 12*b* and 12*c* linked in movement to track the sun concurrently. Plurality of bodies 12*a*, 12*b* and 12*c* are tied together on the supporting frame 35 so that all of the bodies move in unison along with the movement of parallelogram frame 35.

[0031] Referring to FIG. 9, the movement of body 12 along with supporting parallelogram frame 35 can be facilitated by a hydraulic or mechanical spring accumulator 30, which assists in handling the weight of bodies 12*a*, 12*b*, and 12*c* and overcoming inertia. In the embodiment shown, weights 34 can also be used in conjunction with pulleys 36 to assist in handling the weight of bodies 12*a*, 12*b* and 12*c*. Referring to FIG. 10, pivotal mountings 20 of bodies 12*a*, 12*b* and 12*c* may be positioned on a movable base 38 that can be tilted to a selected slope  $\alpha$  using actuator controller 28.

[0032] The orientation adjustment of body 12 may occur in a number of different ways. For example, referring to FIG. 2, body 12 may be aligned toward the south and north and move along with the daily changes in sunray 11 such that plurality

of bodies **12a**, **12b** and **12c** are always in parallel to sunrays **11**. This type of alignment allows for large numbers of bodies **12** to be arrayed closely together in multiple straight rows, without shading each other, and may be used anywhere but is most useful in regions close to the Earth's poles (e.g. temperate, boreal and polar regions). Referring to FIG. **3**, it is also possible to align bodies **12a**, **12b** and **12c** toward east and west and adjust along with both seasonal and daily changes in the sun's altitude to maintain bodies **12a**, **12b** and **12c** in parallel to sunrays **11**. This type of alignment also allows for large numbers of bodies **12** to be arrayed closely together in multiple straight rows, without shading each other, and may be used anywhere but is most useful in regions close to the Earth's equator (e.g. subtropical and tropical regions).

**[0033]** There are a number of ways in which pivot axis of body **12** may be set up. For example, referring to FIGS. **2** and **3**, body **12** may be set up on a substantially horizontal pivot axis. A substantially horizontal pivot axis allows for large numbers of bodies **12** to be arrayed closely together in multiple rows without shading each other. Referring to FIGS. **4** and **5**, on the other hand, bodies **12a**, **12b** and **12c** may be set up on a substantially vertical pivot axis. With a vertical pivot axis, however, multiple rows of bodies **12** cannot be arrayed closely together without creating shadows from the first row over the subsequent row(s).

**[0034]** Referring to FIG. **1a**, body **12** may include plant supports **24** within frame **32** or referring to FIG. **1b**, body **12** may include a plurality of cylindrical tubes **44** containing liquid nutrients within frame **32**. Plant supports **24** or cylindrical tubes **44** may be positioned in spaced relation along one of a width or length of frame **32**. Referring to FIG. **6**, plant supports **24** or cylindrical tubes **44** may also be staggered so that they are alternatively positioned toward first face **14** and then toward second face **16**. This orientation of plant supports **24** allows sunlight **11** to reach all sides of plant supports **24**.

**[0035]** Referring to FIG. **7a**, **7b**, **7c**, body **12** is preferably wedge-shaped with the thin edge of the wedge being the peripheral connecting edge **18** of body **12**. Peripheral connecting edge **18** of body **12** is maintained facing the sun as the movement of the sun is tracked. Referring to FIG. **2**, first face **14** and second face **16** of body **12** are preferably rectangular or S square with four sides or can be in an shape. Referring to FIG. **7a**, **7b**, **7c**, the relative angle of first face **14** to second face **16** determines sun exposure. The greater the angle, the greater the exposure to sunlight **11**. For example, plants supported by body **12** as illustrated in FIG. **7b**, receive greater exposure to sunlight **11**, as compared to plants supported by body **12** as illustrated in FIG. **7a**. Referring to FIG. **7a** and FIG. **7b**, first face **14** and second face **16** may define an equilateral triangle, so that first face **14** and second face **16** receive equal exposure to sunlight **11**. However, referring to FIG. **7c**, the angle of first face **14** and second face **16** may be unequal so that first face **14** and second face **16** receive unequal exposure to sunlight **11**. This allows for different plants that require different levels of sun exposure to be positioned on opposite faces of the same body **12**.

**[0036]** Referring to FIG. **8a** and FIG. **8b**, an artificial light source **46** may be supported by body **12** to provide artificial light to plant supports **24** or cylindrical tubes **44**, when sunlight is not available. Artificial light source **46** may be in the form of fluorescent lights or any other type of light suitable for providing artificial light. The artificial light sources **46** may also be placed in a number of different ways, such as inside of tubes **44**.

**[0037]** Operation:

**[0038]** Referring to FIG. **7a**, **7b**, **7c**, body **12** for sun tracking growing system **10** is selected to suit the variety of plant being grown. Referring to FIG. **7a**, plants that have sunlight sensitivities are positioned along first face **14** and second face **16** of body **12** with a sharper tapering. Referring to FIG. **7b**, plant that require greater exposure to the sunlight **11** are placed along first face **14** and second face **16** of body **12**, where first face **14** and second face **16** are angled outwardly at a greater angle. If the angles are equal, first face **14** and second face **16** will receive equal exposure to sunlight **11**. This is suitable when body **12** is supporting a single variety of plant or varieties of plants that require similar exposure to sunlight **11**. Referring to FIG. **7c**, if the angles are not equal, first face **14** and second face **16** will receive different amounts of sun exposure or sunlight **11**. This allows a single body **12** to have plants with different sun exposure requirements present on each of first face **14** and second face **16**.

**[0039]** Referring to FIG. **1a** and FIG. **1b**, body **12** has mounting **20** which pivots along a pivot axis. Pivot axis may be substantially vertical, substantially horizontal or any angle based upon the positioning of body **12** and the motion required to track the sun. For example, referring to FIGS. **2** and **3**, body **12** may be set up on a substantially horizontal pivot axis. A substantially horizontal pivot axis allows for large numbers of bodies **12** to be arrayed in multiple rows closely together without creating shadows to each other. Referring to FIGS. **4** and **5**, body **12** may also be set up on a substantially vertical pivot axis. However, bodies **12** on a vertical pivot axis, which may be easier to be built and controlled, cannot be arrayed in multiple rows closely together as the front row will create shadows on the subsequent rows. Plants are placed into plant supports **24** that are supported by body **12**. In the embodiments shown, plant supports **24** may support plant pots as shown in FIG. **1a** or cylindrical tubes **44** containing liquid nutrients as shown FIG. **1b**. It will be understood that the plant supports **24** may be of any shape or size. The tubes **44** containing liquid nutrients are just one of many ways suited for growing photosynthetic organisms such as algae Which grow in liquid media.

**[0040]** Referring to FIG. **2**, sun tracking sensor **40** is provided which senses the position of the sun. Referring to FIG. **9**, a controller **28** is provided which receives sensing data from sun tracking sensor **40** and then adjusts its arm length, resulting in a rotational movement of supporting frame **35**, thereby changing the orientation of body **12** about a pivot axis to maintain a selected portion of peripheral connecting edge **18** of body **12** facing the sun. Referring to FIGS. **2-5**, the manner in which body **12** moves when tracking the sun is illustrated. A plurality of bodies **12a**, **12b** and **12c** may be positioned in parallel spaced relation in one row or multiple rows, with all bodies or rows linked in movement to track the sun in unison. Referring to FIG. **9**, the movement of body **12** along with supporting parallelogram frame **35** is facilitated by a hydraulic or mechanical spring accumulator **30**, which assists in handling the weight of bodies **12a**, **12b**, and **12c** and overcoming inertia. Weights **34** can also be used in conjunction with pulleys **36** to assist in handling the weight of bodies **12a**, **12b** and **12c**. Bodies **12a**, **12b** and **12c** are connected together by parallelogram frame **35** so that bodies **12a**, **12b** and **12c** move together when the frame **35** is moved rotationally. Referring to FIG. **10**, pivotal mountings **20** of bodies **12a**, **12b** and **12c** may be positioned on a movable base **38** that can be tilted to a selected slope a using actuator controller **28**.

**[0041]** Referring to FIG. 8a and FIG. 8b, an artificial light source 46 may be supported by body 12 to provide artificial light to plants supports 24 or cylindrical tubes 44 supported on body 12 when sunlight is not available. The number of light sources 46 and the intensity of light source 46 are dependent upon the requirements of the plants 26 being supported by body 12. The artificial light sources 46 may also be placed inside tubes 44.

**[0042]** In this patent document, the word “comprising” is used in its non-limiting sense to mean that items following the word are included, but items not specifically mentioned are not excluded. A reference to an element by the indefinite article “a” does not exclude the possibility that more than one of the element is present, unless the context clearly requires that there be one and only one of the elements.

**[0043]** The following claims are to be understood to include what is specifically illustrated and described above, what is conceptually equivalent, and what can be obviously substituted. The scope of the claims should not be limited by the preferred embodiments set forth in the examples, but should be given the broadest interpretation consistent with the description as a whole.

What is claimed is:

1. A sun tracking growing system, comprising:
  - a body having a first face, a second face opposed to the first face and a peripheral connecting edge which is relatively small, as compared to the size of the first face and the second face;
  - a mounting enabling the body to pivot about a pivot axis;
  - plant supports which receive plants supported along the first face, the second face or both of the body;
  - a sun tracking mechanism which senses or calculates the position of the sun and adjusts the orientation of the body about the pivot axis to maintain a selected portion of the peripheral connecting edge of the body facing the sun so as to provide desirable and naturally attenuated sunlight exposure according to plants' needs on both faces throughout a day and to allow an array of multiple rows or single row of the plural bodies closely together without creating shadows to each other.
2. The sun tracking growing system of claim 1, wherein the body includes a frame and the plant supports are supported by the frame.
3. The sun tracking growing system of claim 2, wherein the plant supports are positioned in spaced relation along one of a width or a length of the frame.
4. The sun tracking growing system of claim 3, wherein the plant supports are alternatively positioned toward first face and then toward the second face.
5. The sun tracking growing system of claims 2 and 4, wherein the plant supports are cylindrical tubes or flat panels containing liquid nutrients.
6. The sun tracking growing system of claim 1, wherein the pivot axis about which the body pivots is a substantially horizontal pivot axis.
7. The sun tracking growing system of claim 1, wherein the pivot axis about which the body pivots is a substantially vertical pivot axis.
8. The sun tracking growing system of claim 1, wherein there is a plurality of bodies positioned in parallel spaced relation, each of the bodies tracking the sun in unison.
9. The sun tracking growing system of claim 8, wherein the plurality of bodies are secured to a parallelogram frame which causes the plurality of bodies to move in unison.

10. The sun tracking system of claim 9, wherein the multiple rows of the plural bodies are linked closely together and secured to multiple parallelogram frames which cause all bodies to move in unison.

1. sun tracking growing system of claim 1, wherein the body is wedge-shaped and a thin edge of the wedge is the selected portion of the peripheral connecting edge of the body which is maintained facing the sun as the movement of the sun is tracked.

12. The sun tracking growing system of claim 11, wherein the angle of the first face and the angle of the second face is equal, such that the first face and the second face receive equal sun exposure.

13. The sun tracking growing system of claim 11, wherein the angle of the first face and the angle of the second face is unequal, such that the first face and the second face receive unequal sun exposure.

11. The sun tracking growing system of claim 1, wherein an artificial light source is supported by the body to provide artificial light to the plant supports when sunlight is not available.

15. The sun tracking growing system of claim 1, wherein each of the first face and the second face of the body is square or in any shape with a selected portion of the peripheral connecting edge of the body facing the sun as the movement of the sun is tracked.

16. The sun tracking growing system of claim 1, wherein the sun tracking mechanism includes a hydraulic or mechanical spring accumulator to assist in movement of the body.

17. The sun tracking growing system of claim 1, wherein the sun tracking mechanism includes weights and pulleys to assist in movement of the body.

18. The sun tracking growing system of claim 1, wherein the sun tracking mechanism comprising sensors mounted to each of the first face and the second face, with a controller that receives input from the sensors and causes the body to move about the pivot axis to maintain a specified relationship between input received from sensors on the first face and input received from sensors on the second face.

19. The sun tracking growing system of claim 1, wherein the sun tracking mechanism comprising a controller that receives input from the calculation of sun's position and causes the body to move about the pivot axis to maintain a selected portion of the peripheral connecting edge of the body facing the sun.

20. The sun tracking growing system of claim 1, wherein the body is aligned toward the south and north.

21. The sun tracking growing system of claim 1, wherein the body is aligned toward the east and west.

22. A method of having a growing system tracking the sun, comprising:

providing a body having a first face, a second face opposed to the first face and a peripheral connecting edge which is relatively small, as compared to the size of the first face and the second face;

mounting the body to pivot about a pivot axis;

placing plants into plant supports which are supported by the body along the first face, the second face or both;

sensing or calculating the position of the sun;

adjusting the orientation of the body about the pivot axis to maintain a selected portion of the peripheral connecting edge of the body facing the sun.